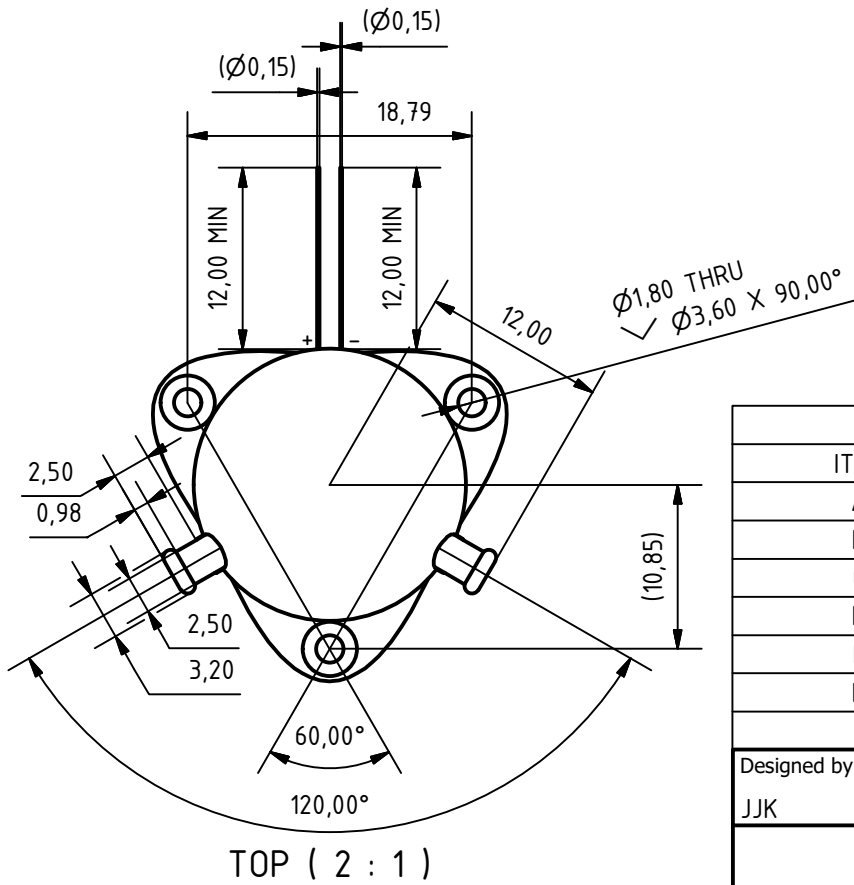
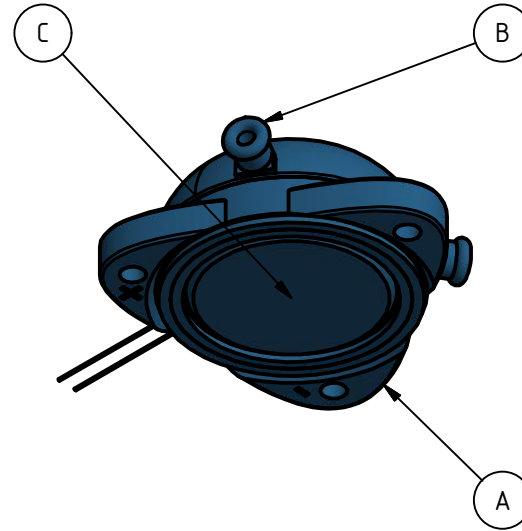
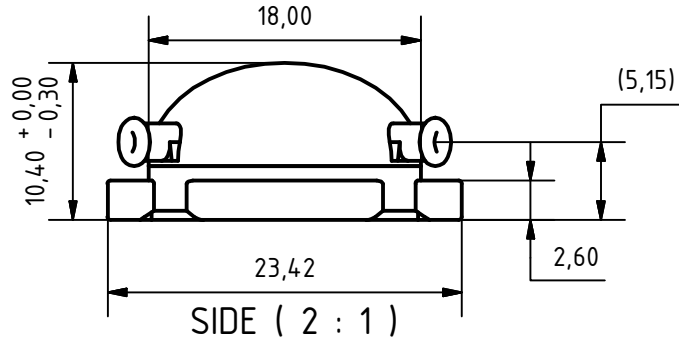


REVISION HISTORY				
ZONE	REV	DESCRIPTION	DATE	APPROVED
	-	INITIAL RELEASE	23/10/2013	JJK



GENERAL NOTES:

1. ALL DIMENSIONS IN MILLIMETRES UNLESS STATED OTHERWISE
2. ALL TOLERANCES  $\pm 0.15\text{mm}$  UNLESS STATED OTHERWISE

PARTS LIST			
ITEM	QTY	PART NUMBER	DESCRIPTION
A	1	DSP06A-A01	Casing Bottom
B	1	DSP06A-A02	Casing Top
C	1	DSP06A-A03	Seal
D	1	1-DRY11E	11mm SENSING WAFER - E LOADING
E	1	6-S11	
H	1		Pt wire (+), 0.15mm dia.
I	1		Pt wire (-), 0.15mm dia.

Designed by JJK	Checked by	Approved by	Date	Date
				23/10/2013

<b>DART SENSORS</b>	11mm ALCOHOL SENSOR, ECONOMY		
	2-BATxE	Edition -	Sheet 1 / 1