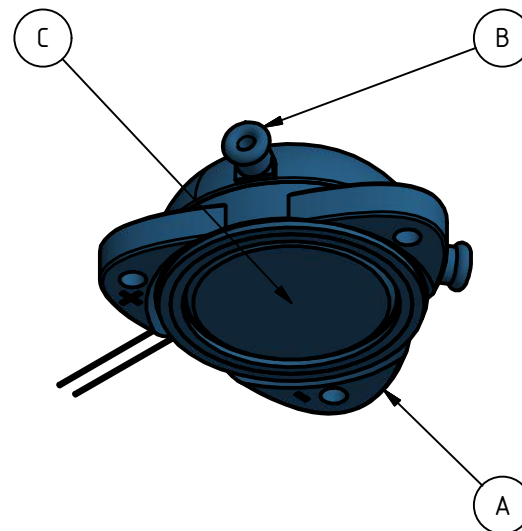
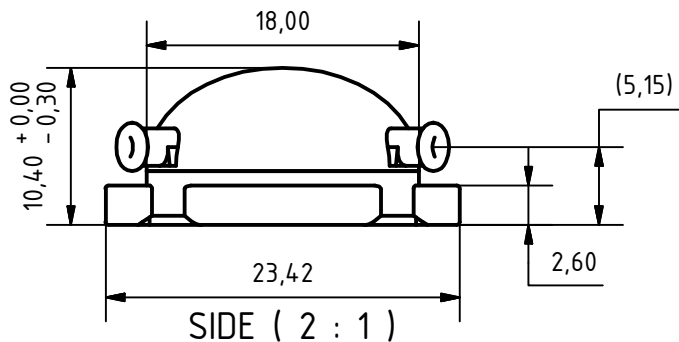
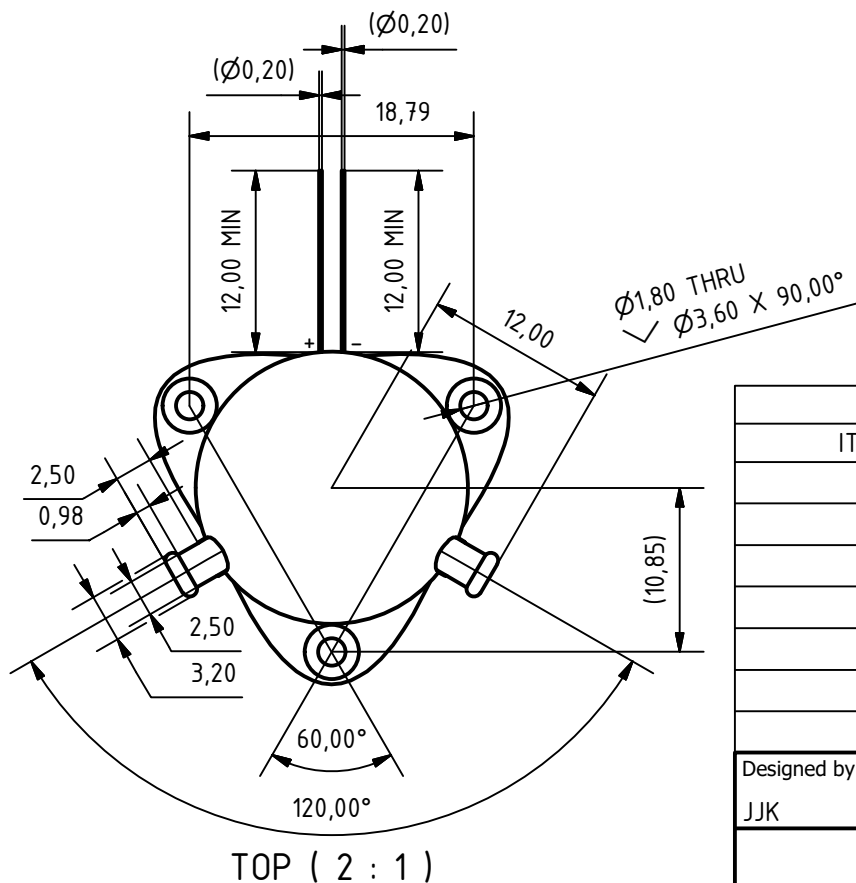


REVISION HISTORY				
ZONE	REV	DESCRIPTION	DATE	APPROVED
	-	INITIAL RELEASE	23/10/2013	JJK



GENERAL NOTES:

1. ALL DIMENSIONS IN MILLIMETRES UNLESS STATED OTHERWISE
2. ALL TOLERANCES $\pm 0.15\text{mm}$ UNLESS STATED OTHERWISE



PARTS LIST			
ITEM	QTY	PART NUMBER	DESCRIPTION
A	1	DSP06A-A01	Casing Bottom
B	1	DSP06A-A02	Casing Top
C	1	DSP06A-A03	Seal
D	1	1-DRY11P	11mm SENSING WAFER - P LOADING
E	1	6-S11	
F	1	Pt Wire (+)	Pt Wire (+), 0.20mm dia.
G	1	Pt Wire (-)	Pt wire (-), 0.20mm dia.

Designed by JJK	Checked by	Approved by	Date	Date
				23/10/2013

DART SENSORS	11mm ALCOHOL SENSOR, PREMIUM		
	2-BATxP	Edition -	Sheet 1 / 1