

Dart Sensors WZ-EN CO Sensor

Operation Manual

DART SENSORS

ProSense Technologies Co., Ltd.

Brief Introduction

WZ-EN carbon monoxide sensor from DART SENSORS works on the proven fuel cell technology and responds directly to the volume concentration of CO. WZ-EN realizes the detection of CO by the reaction occurred on the working electrode of the micro fuel cell, during which the current generated is proportional to the concentration of CO. WZ-EN is perfect for the application powered by battery because fuel cell realizes gas detection without power consumption.



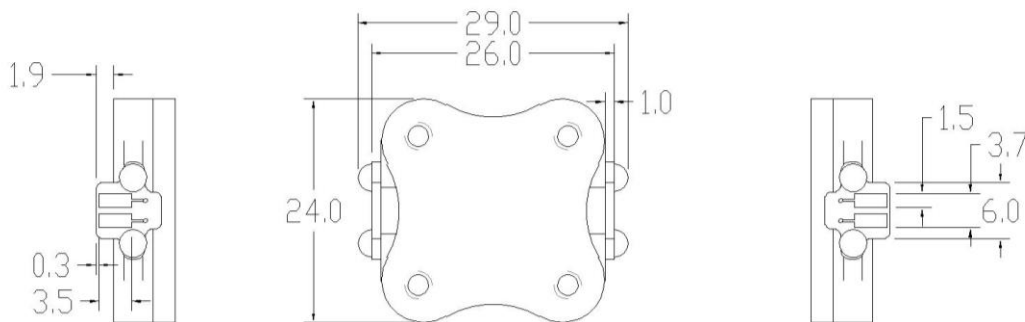
Feature

- 0 power consumption
- High precision
- High sensitivity
- High performance/cost ratio
- Wide linear range
- Fast response
- Excellent repeatability and stability
- Meet UL standards

Application

- Indoor air quality
- Consumer Market
- General gas detection
- Household applications
- Wearable Device
- Environmental protection
- Industry safety
-

Dimensions

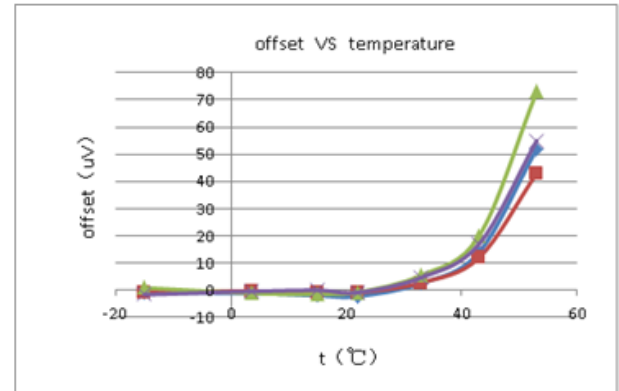
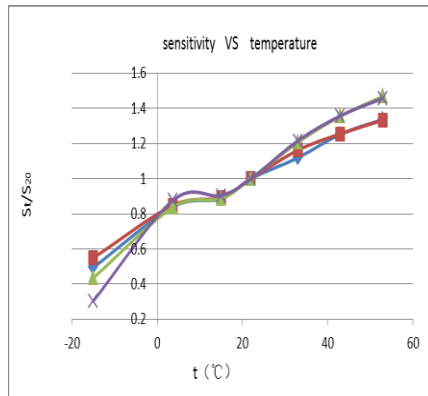



- Notes: 1 All dimensions in mm
 2 All tolerances $\pm 0.15\text{mm}$ unless otherwise stated

Technical Specification

Item	Technical Specification
Principle	Micro Fuel Cell
Range	0-1000ppm
Max Overload	2000ppm
Sensitivity	0.75 ± 0.25 (nA/ppm)
Response Time(T90)	<180Sec
Baseline (20°C)	± 10 ppm
Repeatability	2%
Linearity	linear
Temperature	-20°C ~ 50°C
Pressure	1atm $\pm 10\%$
Humidity	15%—90%Rh (non condensing)
Storage Temperature	0~20°C
Lifetime	5 years in air
Warranty Period	12 months
Weight	5g

Temperature Dependence



 | 普 | 晟 | PROSENSE ProSense Technologies Co., Ltd.

Add: Room 206, Building 4, Lianjian S&T Park, Longhua District, Shenzhen, China;

Tel: +86 755 3669 0079

Email: sales@szprosense.com